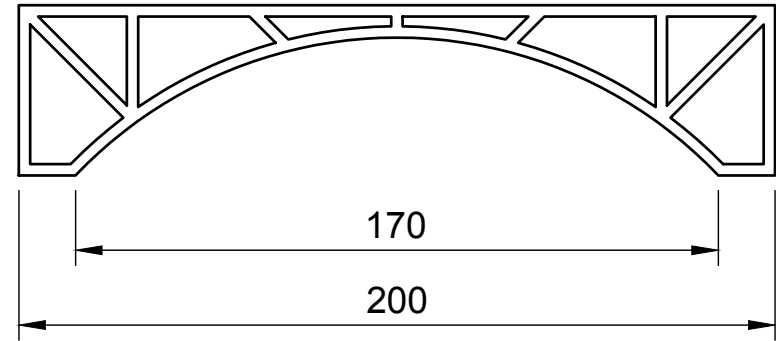


Top View



This must be at least 30mm

Front View



Dept.	Technical reference <b>Units: mm</b>	Created by <b>CoE MakerSpace</b>	Approved by	
		Document type <b>Scale: 1:2</b>	Document status	
		Title <b>Bridge Design Template</b>	DWG No.	
	Rev.	Date of issue	Sheet <b>1/1</b>	